

## Alarms

### FEATURES AND BENEFITS

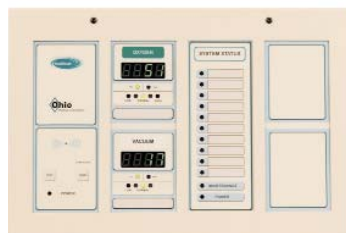
- Complies with NFPA 99 & FCC Part 15
- Adjustable audible alarm repeat
- Field adjustable pressure settings
- Knockout for conduit installation
- Equipped with local or remote sensors (Area)
- High visibility LED readouts
- Can be interfaced with LonWorks®
- UL Listed
- Normally Open or Closed Contacts (Master)



Area Alarm



Master Alarm



Combo Alarm

### SPECIFICATIONS

#### Area Alarm

Each area alarm is modular in design and is capable of handling up to 6 or 8 gases. Two pressure sensor options are available, local or remote. Local sensors are installed inside the alarm box and hard piped to the area monitored; remote sensors are located at the area and wired back to the alarm up to 5,000 feet away from the alarm box. Each sensor is connected to a gas pipe with a gas specific DISS check unit and is clearly marked and identified with a color-coded label for the gas specified.

Each area alarm module has an LED digital readout reflecting a maximum range of either 0-100 psig or 0-250 psig for pressure and 0-30"Hg for vacuum and is preset at the factory with an accuracy of 1% of full scale. Each module contains LED's to represent normal line pressure, abnormal pressure, or an alarm condition. The factory default for an alarm is a pressure variation of  $\pm 20\%$  from the normal line pressure or when vacuum reaches below 12" Hg.

#### Master Alarm

Each Ohio Medical Healthcair® Series Master alarm is modular in design and can be fitted with any number of master alarm modules. The master alarms are capable to monitor from 10 to 30 points in a standard box or 10 to 50 points in a large box.

A master alarm module can monitor up to 10 alarm points. Each point represents an alarm condition that the source equipment might have. When an alarm condition exists, a red light flashes and the audible alarm sounds. If several alarm conditions occur simultaneously, the most recent alarm light will flash, while the other alarm lights will remain lit. When an alarm condition is created, an audible alarm shall be actuated. A dry contact module is available for the ability to interface with a building management system.

The annunciator panels of both the area and master alarms are equipped with a "TEST" and a "SILENCE/ RESET" button. The "Test" button tests if all display and audible alarm are in working order. The alarm "SILENCE/RESET" button is to quiet the audible alarm after it has sounded and to reset the alarm after alarm conditions has been cleared. The annunciator's audible alarm is rated for 80 decibels at 3 feet away. The parameters for each gas can be programmed with three buttons on the back of the annunciator module. The repeat interval for the audible alarm can also be programmed to an interval between 1 to 99 minutes.

All Ohio Medical Corp. alarms comply with the requirements of FCC part 15 (47CFR Part 15). This requires that no harmful electromagnetic energy is being emitted from the alarm system that may affect other facility equipment in the area of installation. In turn, the alarm system is not affected by electromagnetic energy that may be emitted by other equipment in the area.

Incorporated in each alarm is a LonWorks® interface node to facilitate communication to the building management information center. LonWorks® is a trademark of Echelon Corporation registered in the United States and other Countries.

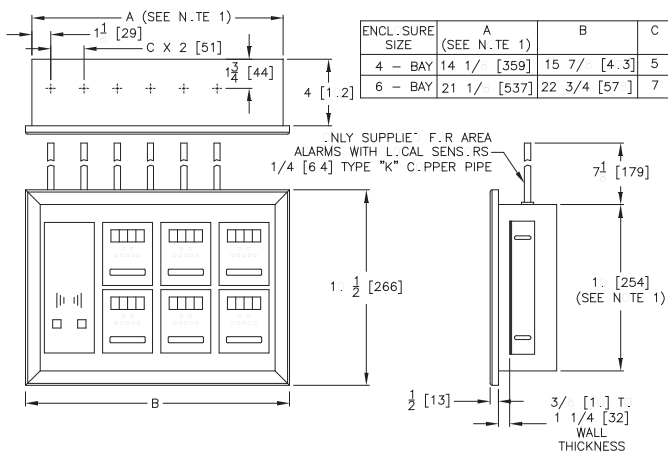
Combination area/master alarms are available incorporating the features of both styles in one alarm.

The box material is 16-gauge steel and equipped with mounting brackets that are adjustable up to a drywall thickness of 1-1/4" (32mm)

Equipment is manufactured in the USA and produced in an ISO 13485 facility.



## Area Alarm



### LOCAL

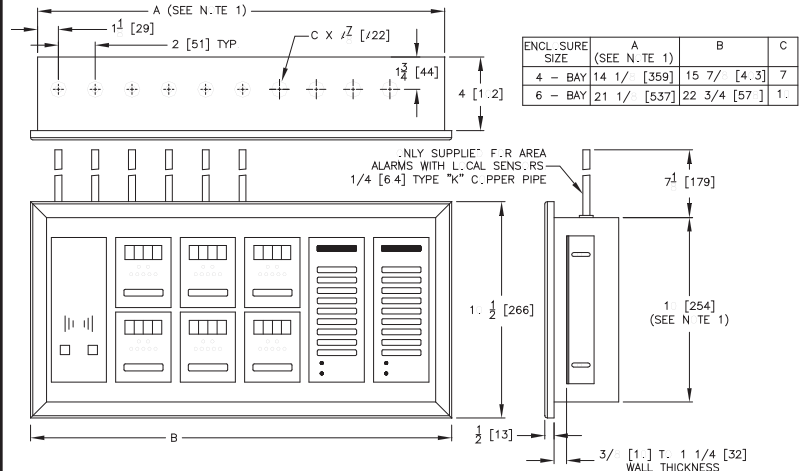
261861-X	1 Gas Area Alarm
261862-XX	2 Gas Area Alarm
261863-XXX	3 Gas Area Alarm
261864-XXXX	4 Gas Area Alarm
261865-XXXXX	5 Gas Area Alarm
261866-XXXXXX	6 Gas Area Alarm
261867-XXXXXXX	7 Gas Area Alarm
261868-XXXXXXXX	8 Gas Area Alarm

### REMOTE

261851-X	1 Gas Area Alarm
261852-XX	2 Gas Area Alarm
261853-XXX	3 Gas Area Alarm
261854-XXXX	4 Gas Area Alarm
261855-XXXXX	5 Gas Area Alarm
261856-XXXXXX	6 Gas Area Alarm
261857-XXXXXXX	7 Gas Area Alarm
261858-XXXXXXXX	8 Gas Area Alarm

X = gas    1 = Oxygen    4 = Air    7 = Carbon Dioxide  
 2 = Vacuum    5 = Nitrogen  
 3 = Nitrous Oxide    6 = Evacuation

## Combo Alarm



P/N	Description
261896	Area/Master Combo Alarm (Local)
261895	Area/Master Combo Alarm (Remote)

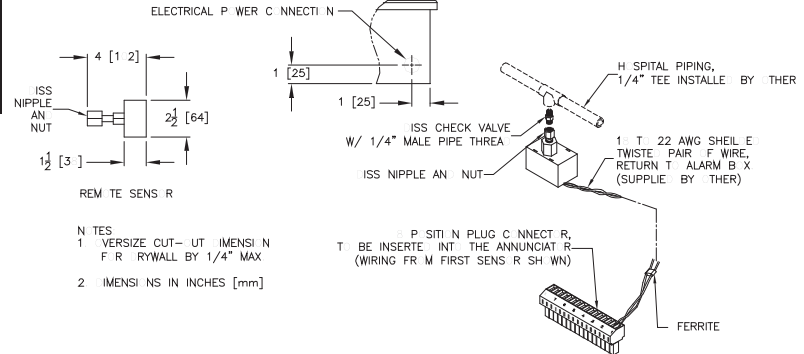
261896-10 X

Replace X with gas

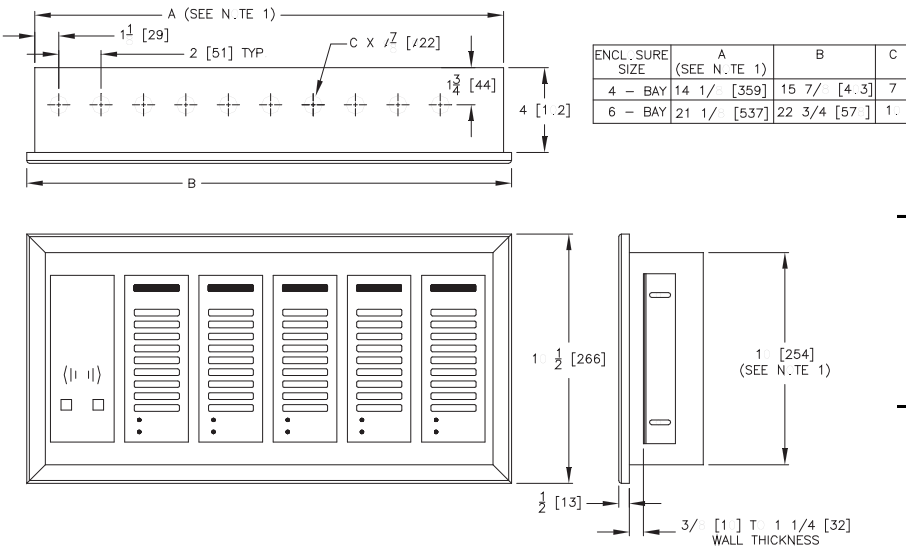
- 1 = Oxygen
- 2 = Vacuum
- 3 = Nitrous Oxide
- 4 = Air
- 5 = Nitrogen
- 6 = Evacuation
- 7 = Carbon Dioxide

Master Alarm Modules

- 10 = 1, 10 point
- 20 = 2, 10 ppoint
- 30 = 3, 10 point
- 40 = 4, 10 point



## Master Alarm



P/N	Description
261890-10	Digital Master Alarm 10 Point
261890-20	Digital Master Alarm 20 Point
261890-30	Digital Master Alarm 30 Point
261890-40	Digital Master Alarm 40 Point
261890-50	Digital Master Alarm 50 Point

With Dry Contacts	
261890-10C	Digital Master Alarm 10 Point with dry contacts
261890-20C	Digital Master Alarm 20 Point with dry contacts
261890-30C	Digital Master Alarm 30 Point with dry contacts
261890-40C	Digital Master Alarm 40 Point with dry contacts
261890-50C	Digital Master Alarm 50 Point with dry contacts

TRUSTED BRANDS OF OHIO MEDICAL



Ohio Medical Corporation - 1111 Lakeside Drive - Gurnee, IL 60031-4099 USA  
 TollFree: 800-448-0770 - Phone: 847-855-0500 - Fax: 847-855-6300  
 www.ohiomedical.com