

## Medical Gas Check Valve

### FEATURES AND BENEFITS

- Soft seat for tight shutoff
- Reduced Vibration
- Reliable protection against reverse flow
- Reduced noise

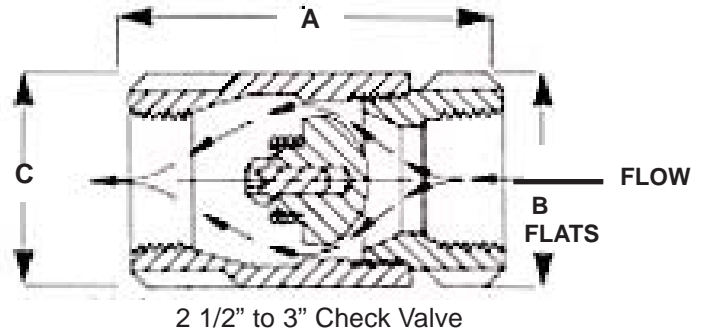
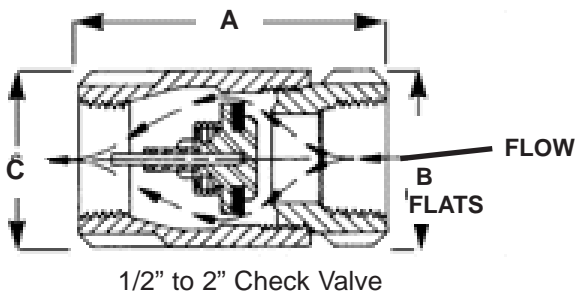
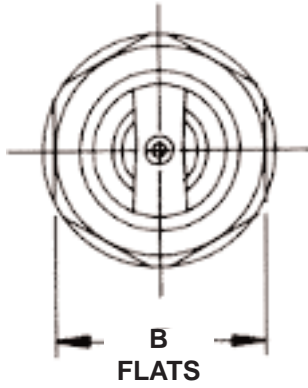


### SPECIFICATIONS

The medical gas check valve shall be Ohio Medical Healthcair® series. The check valve shall comply with NFPA 99.

The medical gas check valve shall be bronze. The check shall provide a soft seat for bubble tight shutoff, reduced noise, and less vibration. The check valve shall be spring loaded for fast seating action and center guided so that radial alignment is never needed. The medical gas check valve shall have straight-through flow for minimized velocity change.

The check valve shall be 100% leak tested and cleaned for oxygen service.



Part Number	Size	A	B Flats	C	*CV
261700	1/2" [12.7]	2 5/16" [58.7]	1 1/8" [28.6]	1 1/8" [28.6]	6
261701	3/4" [19]	2 7/8" [73]	1 3/8" [34.9]	1 1/2" [38.1]	12
261702	1" [25.4]	3 1/2" [88.9]	1 3/4" [44.5]	1 15/16" [49.2]	25
261703	1 1/4" [41.7]	4 3/16" [106.4]	2 1/8" [54]	2 3/8" [60.3]	44
261704	1 1/2" [38.1]	4 15/16" [125.4]	2 1/2" [63.5]	2 13/16" [71.4]	65
261705	2" [50.8]	6" [152.4]	3" [76.2]	3 11/16" [93.7]	120
261706	2 1/2" [63.5]	7" [177.8]	3 1/2" [88.9]	4 1/2" [114.4]	175
261707	3" [76.2]	8 1/8" [206.4]	4 1/8" [104.8]	5 1/16" [134.9]	265