

Emergency Oxygen Inlet Station

Product Specifications

Low Pressure (Surface & Recessed Mounted)

SPECIFICATIONS

The emergency oxygen inlet station shall be Ohio Medical Healthcair® series and comply with NFPA 99. The emergency oxygen inlet station shall be provided to permit connection from an external auxiliary source of oxygen to the hospital's main oxygen pipeline on a temporary emergency or maintenance basis.

The emergency oxygen inlet station shall consist of a weather tight enclosure with a hinged door which can be either surface or recessed mounted. The door shall be labeled "EMERGENCY LOW PRESSURE GASEOUS OXYGEN INLET". The door shall be lockable to allow access only to authorized personnel. Instructions for proper operation shall be included inside the door. The inlet box shall have a 1" NPT (25.4mm) connection to the hospital and include a cap to prevent foreign material from entering.

Located inside the emergency oxygen inlet box shall be a 1" (25.4mm) brass ball valve, which can be opened or closed to allow the flow of oxygen. Also included is a 0-100 psi pressure gauge.

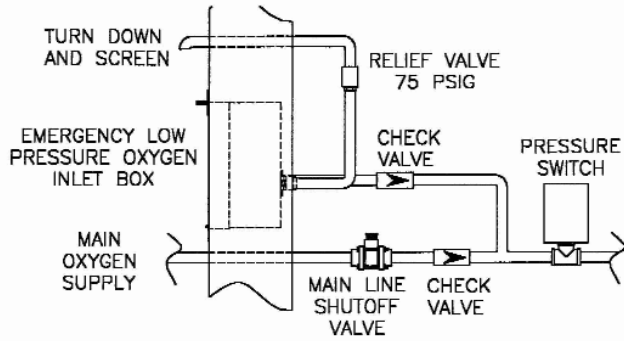
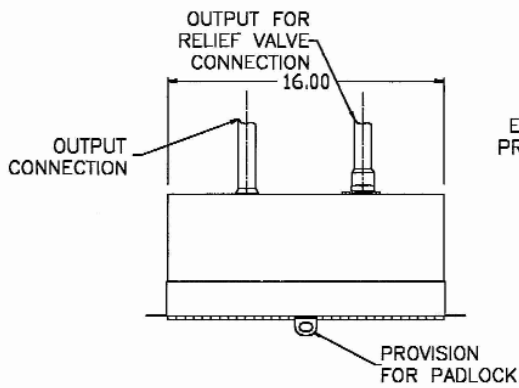
Externally mounted downstream of the main oxygen supply line shall be a main line shutoff valve and a bronze body check valve with female pipe threads on each end.

Externally mounted downstream of the emergency oxygen inlet station shall be a brass body relief valve set at 75 psi. which shall automatically reset after opening to assure a positive seal, and a bronze body check valve with female pipe threads on each end.

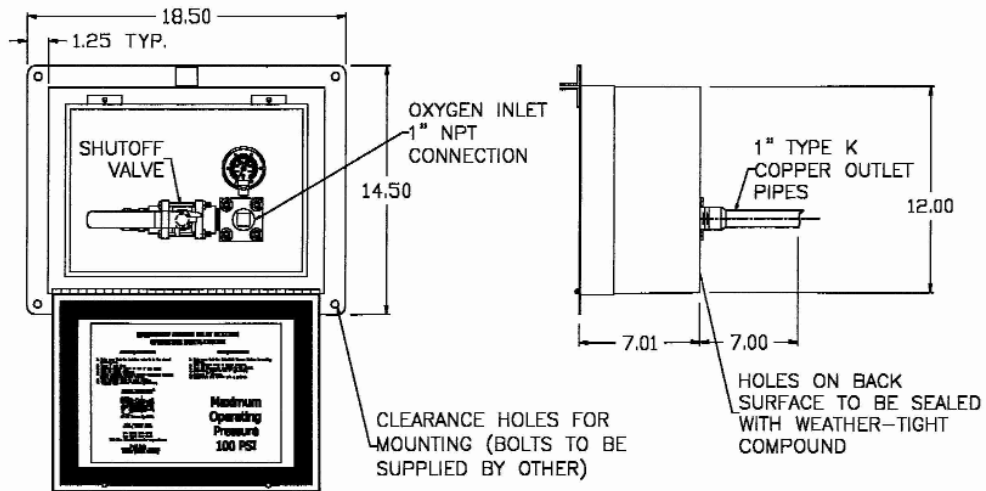
The relief valve discharge port shall be piped outdoors. All piping components shall be oxygen cleaned.

Equipment is manufactured in the USA and produced in an ISO 13485 registered facility.





PIPING CONFIGURATION PER N.F.P.A. REGULATIONS



PART NUMBERS

<input type="checkbox"/>	261825	Emergency Oxygen Inlet Station
<input type="checkbox"/>	261701	Check Valve, 3/4"
<input type="checkbox"/>	261702	Check Valve, 1"
<input type="checkbox"/>	261703	Check Valve, 1-1/4"
<input type="checkbox"/>	261704	Check Valve, 1-1/2"
<input type="checkbox"/>	261705	Check Valve, 2"
<input type="checkbox"/>	232600	Relief Valve, 1/2" NPT, Set at 75 PSIG
<input type="checkbox"/>	232602	Relief Valve Pipeaway Adapter, 1/2" NPT

TRUSTED BRANDS OF OHIO MEDICAL



Ohio Medical Corporation - 1111 Lakeside Drive - Gurnee, IL 60031-4099 USA
 TollFree: 800-448-0770 - Phone: 847-855-0500 - Fax: 847-855-6300
www.ohiomedical.com